

35W TO-263 Non-Inductive High-Power Resistor

TPAL0263

Resistance	0.1Ω~10KΩ
Tolerance	±0.5%
TCR	±100ppm/°C
Rated Power	35W



Applicable to

Instrumentation
Industrial Power Equipment
Automotive Electronics
Motor Control & Drive Circuits

High Power in Compact Package, Heat Sink Mountable Low Thermal Resistance, Excellent Reliability & Stability.

Introduction



TPAL0263 is a TO-263 non-inductive high-power resistor. The TO-263 transistor outline package is an SMT package, commonly used for high-power transistors, small to medium-sized integrated circuits, power resistors, etc.

The rated power of TPAL0263 series is 35W. TPAL0263 adopts a flange for its better heat dissipation to balance the thermal characteristics of the circuit. It is usually designed for current measurement, energy absorption, discharge, RC absorption, high-speed switching, high frequency transmission circuits, voltage regulation, constant power loads, and low-energy pulse loads. Its industry applications include industrial lasers, welding equipment, testing equipment, instrumentation, UPS, automobiles, switching power supplies, etc.

TPAL0263 series high-power molded resistor has excellent long-term stability, low TCR, high heat dissipation, low thermal resistance and low current noise, applying for a wide range. From raw materials, core production equipment, to process technology, TPAL0263 production is independent and controllable and achieves stable quality and timely delivery.



Electrical Parameters

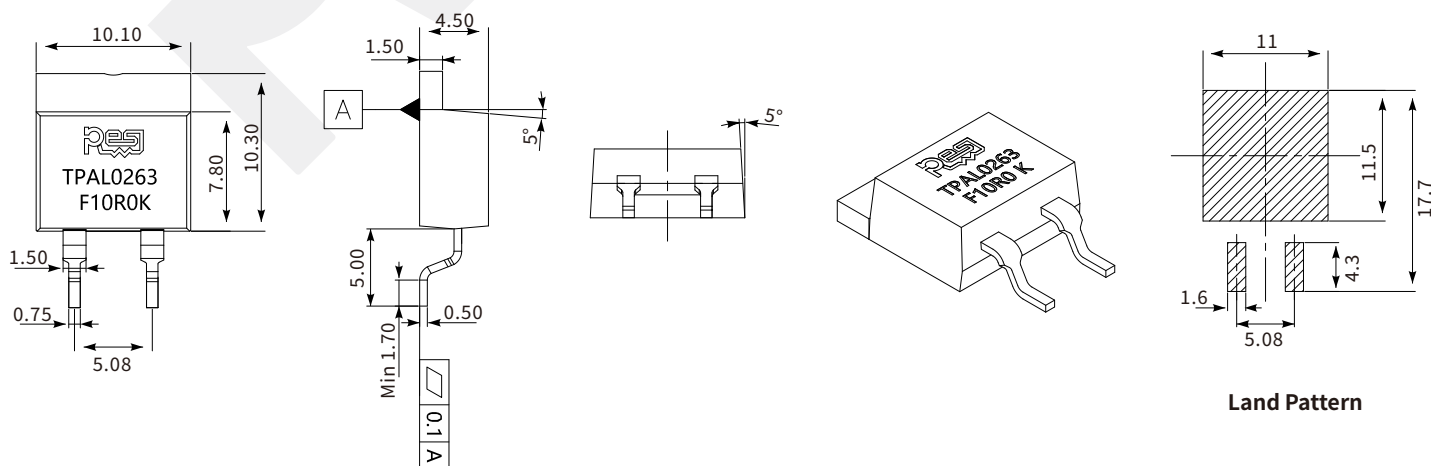
Series	Resistance Ω	TCR ppm/ $^{\circ}\text{C}$ (+20 $^{\circ}\text{C}$ Ref)	Tolerance %	Max. Operating Voltage ¹	Rated Power ²		Operating Temperature
					With Heat Sink. Flange $\leq 25^{\circ}\text{C}$	Without Heat Sink	
TPAL0263	$0.5 \leq R \leq 10\text{K}$	± 100 (-55 $^{\circ}\text{C}$ ~125 $^{\circ}\text{C}$)	$\pm 0.5, \pm 1, \pm 5$	500V	35W	2.25W	-55~+150 $^{\circ}\text{C}$

Galvanic Isolation	Insulation Resistance	Thermal Resistance	Inductance ³	E-Series Value	Technology	Housing	Unit Weight
2000VAC	$\geq 10^4 \text{M}\Omega$	3.0 $^{\circ}\text{C}/\text{W}$	$\leq 0.1\mu\text{H}$	E24	Thick Film	Epoxy Molded	1.65 $\pm 0.5\text{g}$

1. According to $P=UI$, combined with power and the maximum operating voltage, calculate the maximum current value (P and U whichever is less).
2. If the actual operating power is greater than 2.25W, it must be used with a heat sink. The recommended heat sink and installation method refer to pages 6 and 7.
3. When resistance is between 0.5 Ω ~ 1K Ω , the applicable testing frequency range is 1kHz ~ 1MHz. When the resistance value is between 1K Ω ~ 10K Ω , the applicable testing frequency range is 1kHz ~ 100kHz. If higher application frequency is required, it needs to be verified through actual operating conditions testing or contact us.

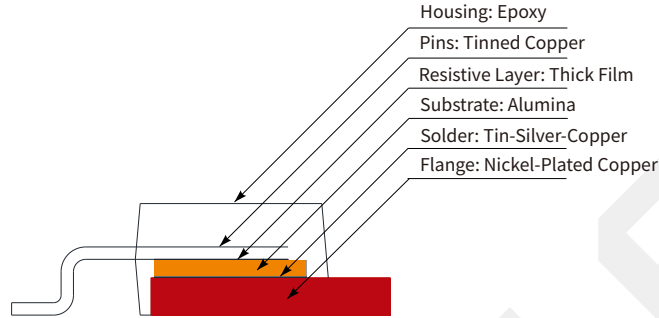
Dimensions

Unit: mm



Note: The above dimensional tolerance is ± 0.3 mm.

Construction



Marking

The first line (four digits) represents brand.
 The second line (eight digits) represents product series and package.
 The third line (six digits) represents tolerance, resistance and TCR.

Series	Illustration	E-Series Value	Demonstration
TPAL0263		E24	RESI: Brand TPAL0263: Series & Package F: Tolerance 10R0: Resistance K: TCR

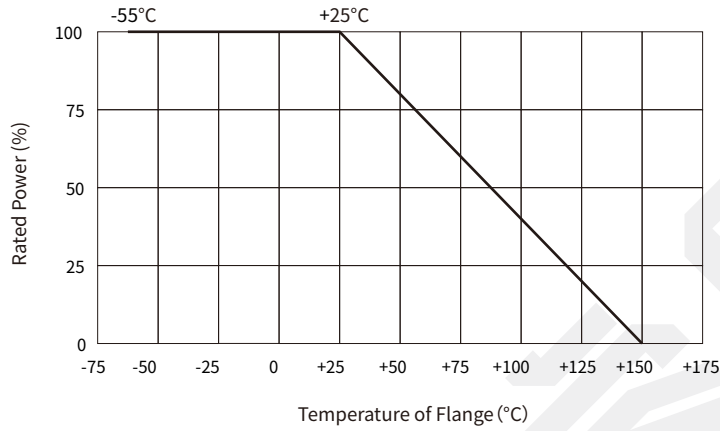
Part Number Information

Example: TPAL0263F10R0KH (TPAL 0263 $\pm 1\%$ 10 Ω ± 100 ppm/ $^{\circ}$ C Mid-High reflow temp.)

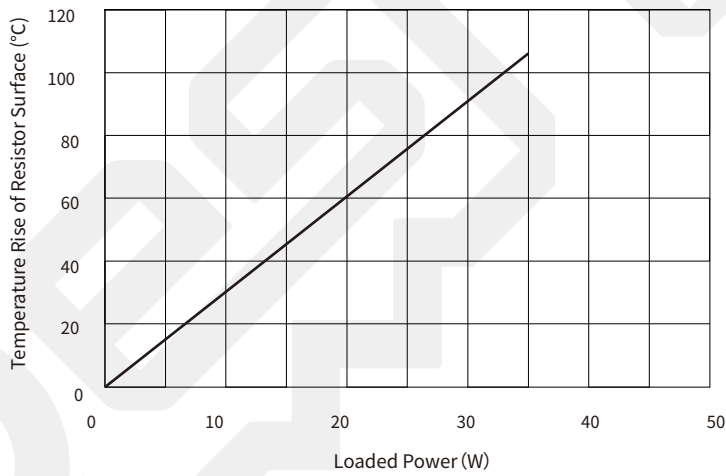
T	P	A	L	0	2	6	3	F	1	0	R	0	K	H
Series				Package				Tolerance	Resistance			TCR	Code ⁽¹⁾	
TPAL				0263				D= $\pm 0.5\%$ F= $\pm 1\%$ J= $\pm 5\%$	R500=0.5 Ω 10R0=10 Ω 1K00=1K Ω 10K0=10K Ω			K= ± 100 ppm/ $^{\circ}$ C	9=Low reflow temp. H=Mid-High reflow temp. Others=Custom	

⁽¹⁾ Reflow Soldering Profile refer to pages 4.
 Noted: For higher/lower resistance, tighter tolerance, higher power, lower TCR and larger size, please contact us.

Derating Curve

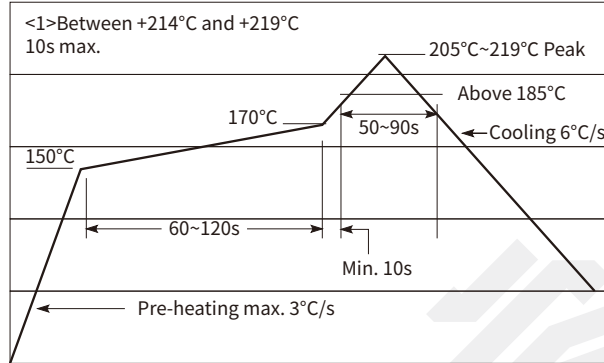


Power - Temperature Rise Curve



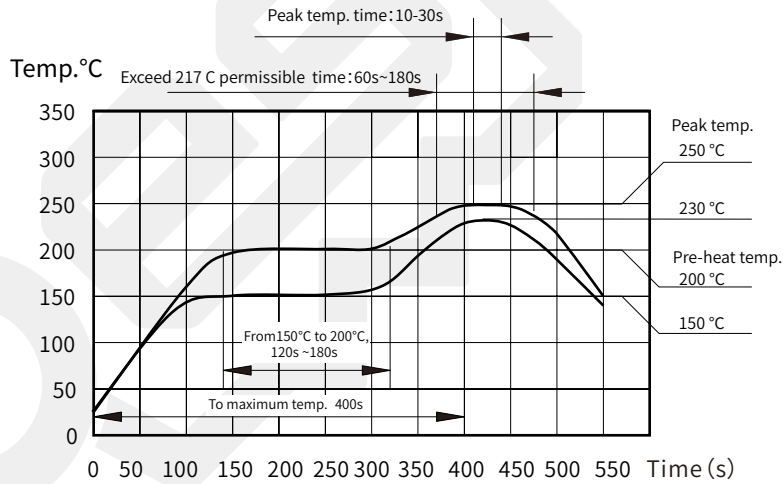
Recommended Reflow Profile (Low Temp.)

Examples of Applicable Solder Paste
 Sn62%Pb36%Ag2%
 Sn63%Pb37%

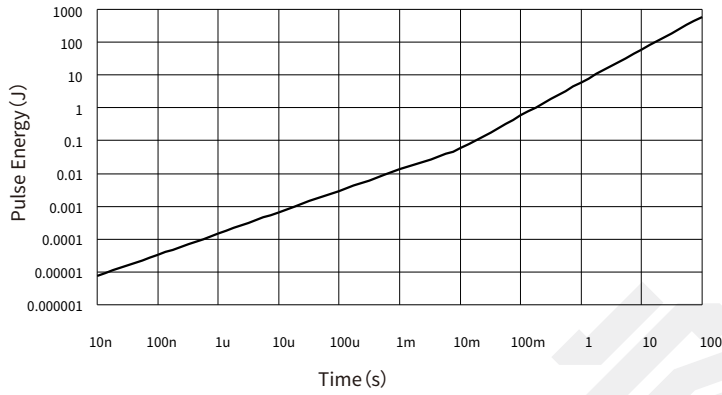


Recommended Reflow Profile (Mid-High Temp.)

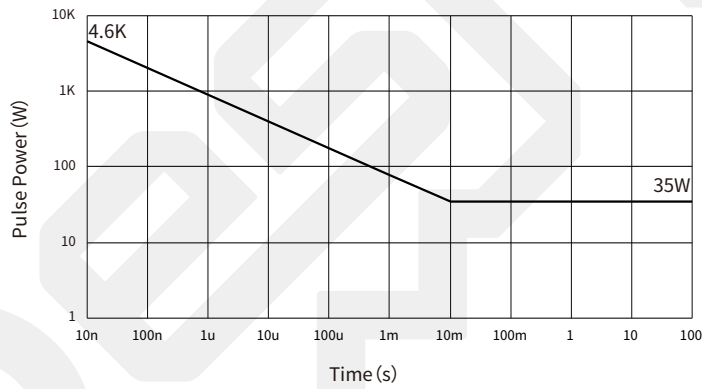
Examples of Applicable Solder Paste
 Sn96.5Ag3.0Cu0.5
 Sn95.5Ag3.8Cu0.7



Pulse Energy Curve



Pulse Power Curve

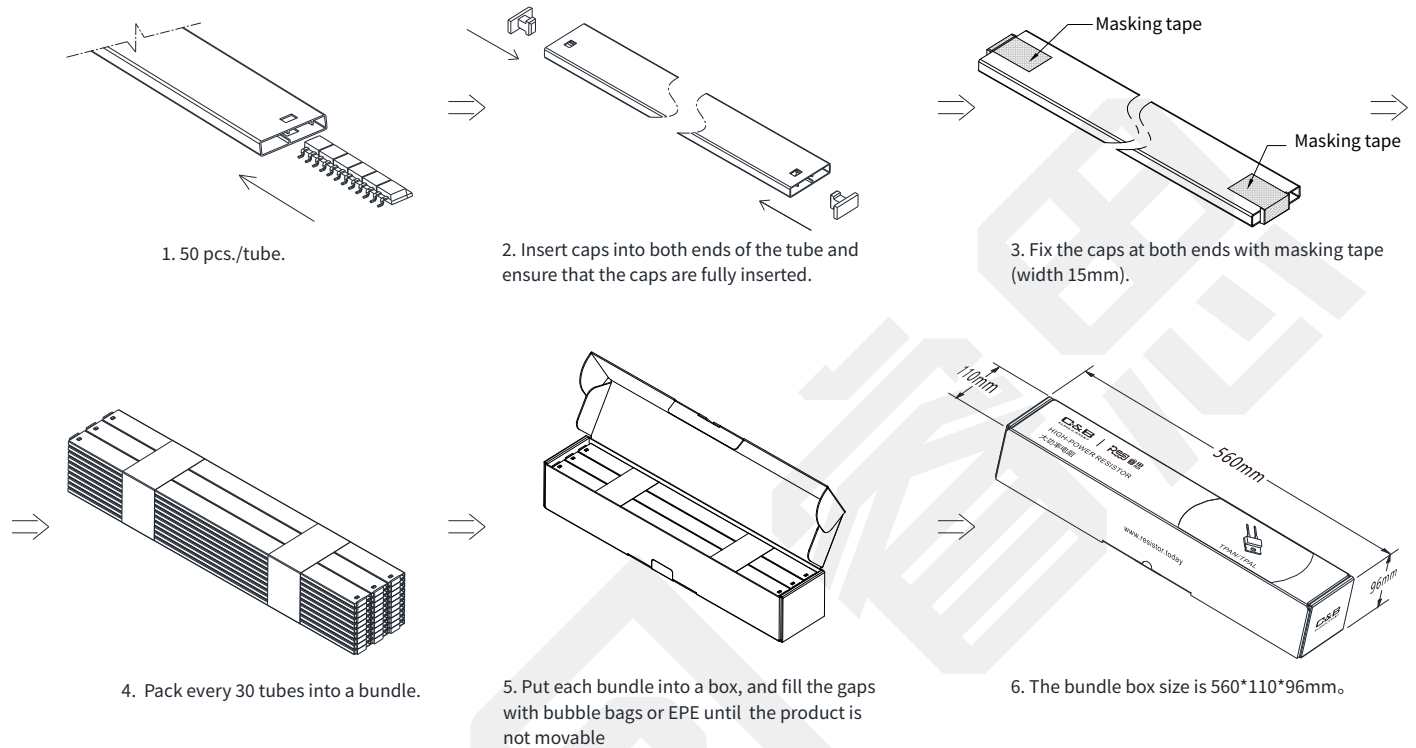


Performance

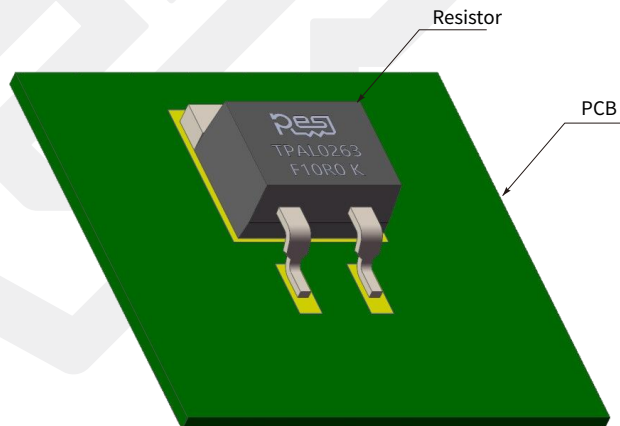
Test	Test Method	Standards	Test Limits
High Temperature Storage	1000h@+150°C, unpowered	AEC-Q200 TEST 3 MIL-STD-202 Method 108	$\Delta R \leq \pm 1\%$
Bias Humidity	+85°C, 85%RH, powered 10% rated power for 1000h. Inspect within 24±4 hours after the test	AEC-Q200 TEST 7 MIL-STD-202 Method 103	$\Delta R \leq \pm 0.5\%$
Load Life	+25°C ¹ , 1000h, rated power, not exceeding maximum operating voltage, 90 min on, 30 min off	AEC-Q200 TEST 8 MIL-STD-202 Method 108	$\Delta R \leq \pm 1\%$
Resistance to Solvent	Immerse in solvent for 1 min and wipe 10 times. Three cycles of three solvents.	AEC-Q200 TEST 12 MIL-STD-202 Method 215	Clear marking. No visible damage
Mechanical Shock	Half Sine Wave, peak acceleration 100g's, pulse duration 6ms, 3 times in each of six directions, on three different axes	AEC-Q200 TEST 13 MIL-STD-202 Method 213	$\Delta R \leq \pm 0.25\%$
Vibration	10-2KHz, 5g's, 20min/cycle, 12 cycles in each directions of X Y Z	AEC-Q200 TEST 14 MIL-STD-202 Method 204	$\Delta R \leq \pm 0.25\%$
Resistance to Solder Heat	+260°C tin bath for 10s	AEC-Q200 TEST 15 MIL-STD-202 Method 210	$\Delta R \leq \pm 0.25\%$
Thermal Shock	-55°C, 15min~ambient temperature<20s~+150°C, 15min, 1000 cycles	AEC-Q200 TEST 16 MIL-STD-202 Method 107	$\Delta R \leq \pm 0.5\%$
Solderability	+245°C tin bath for 3s	AEC-Q200 TEST 18 IEC 60115-1 4.17	No visible damage. 95% minimum coverage
TCR	-55°C and +125°C, +20°C Ref.	AEC-Q200 TEST 19 IEC 60115-1 4.8	Within the nominal value range
Flammability	Flame the sample for 10 seconds, twice	UL-94	Meet the level conditions of V1
Terminal Strength	Apply force 20N for 5~10s	MIL-STD-202 Method 211	$\Delta R \leq \pm 0.2\%$
Withstand Voltage	Apply an effective 2000VAC between the terminal and flange for 60 seconds	IEC 60115-1 4.7	No breakdown or flashover, $\Delta R \leq \pm 0.25\%$
Short Time Overload	2x rated power for 5s, not exceeding 1.5x maximum operating voltage	IEC 60115-1 4.13	$\Delta R \leq \pm 0.5\%$
Low Temperature Operation	-55 °C, unpowered for 1h, powered rated voltage for 45 min, unpowered for 15 min	IEC 60115-1 4.36	$\Delta R \leq \pm 0.5\%$

1. During testing, water-cooled or air-cooled heat dissipation should be used to ensure that the flange temperature is ≤ 25 °C.

Packaging



Installation



1. The general SMD mounting of TO-263 resistors is shown in the figure above. It is recommended to use the vacuum nitrogen reflow soldering process, ensuring the best soldering between the flange of the resistor and the PCB. If not soldered in a vacuum or nitrogen environment, there may be many voids between the flange and PCB, which can affect the thermal conductivity. It is recommended that the void rate after soldering should be $\leq 3\%$.

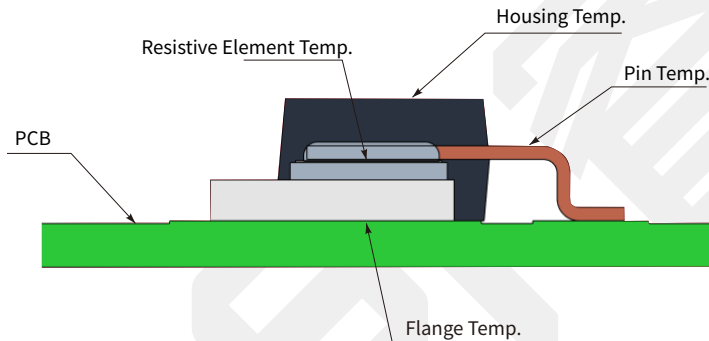
2. It is recommended that the steel mesh opening area should avoid the position of the plastic casing of the resistor to prevent the generation of solder beads during reflow soldering. At the same time, it is recommended to divide the opening area into several areas and set exhaust ducts in the middle.

3. According to the derating curve, when using resistors at full power, it is necessary to use cooling methods such as water cooling or oil cooling to ensure that the temperature of the flange is $\leq 25^{\circ}\text{C}$, in order to ensure the product's load life and long-term reliability.

Statement of Rated Power and Temperature

The maximum rated power of TPAL0263 series high-power resistor is 35W, which is based on 25 °C operating ambient temperature of the flange. The temperature measurement point is in the center of the back of the flange, which is below the resistive element. The temperature of the resistor flange is different from the temperature of the housing, pin or ambient temperature. The heat dissipation effect of the resistor can be reflected by the flange temperature. Heat dissipation effect is a crucial factor. When equipment or resistor fails, please investigate the heat dissipation of the resistor first. If the flange is over temperature, it usually indicates that the heat dissipation effect has not achieved the conditions specified in the datasheet, which means the installation of the heat sink or the heat dissipation capacity of the applied heat sink does not meet the requirements. Long-term use can lead to drift of the resistance, thereby reducing the load life of the resistor. When using resistors, it is recommended to apply appropriate thermal design, calculation, and temperature measurement or finite element analysis to verify the feasibility of the design and avoid resistor failure due to poor heat dissipation.

Temperature Diagram of Product Assembly



Heat Sink Selection

Users must choose a suitable heat sink based on the usage conditions of the resistors (e.g. power, ambient temperature, etc.). The maximum operating temperature of TPAL0263 series is 150 °C. TPAL0263 power calculation is as follows:

$$P = \frac{\Delta T}{R_{TH(j-c)} + R_{TH(c-h)} + R_{TH(h-a)}}$$

P: The operating power of the resistor;

ΔT : The difference of the maximum operating temperature of the resistor and the ambient temperature;

$R_{TH(j-c)}$: The thermal resistance between the resistive layer and the outer part of the resistor, i.e. the thermal resistance of the resistor;

$R_{TH(c-h)}$: The thermal resistance between the outer part of the resistor and the upper part of the heat sink, i.e. the thermal resistance at the contact interface;

$R_{TH(h-a)}$: The thermal resistance of the heat sink.

Example:

$R_{TH(h-a)}$: Determine an operating power of 15W and an ambient temperature of +25 °C for TPAL0263;

Referring to the datasheet, the thermal resistance $R_{TH(j-c)}$ of TPAL0263 series is 3 °C/W;

The calculation is as follows:

$$\Delta T = 150^\circ\text{C} - 25^\circ\text{C} = 125^\circ\text{C}$$

$$R_{TH(j-c)} + R_{TH(c-h)} + R_{TH(h-a)} = \Delta T / P = 8.33^\circ\text{C/W}$$

$$R_{TH(c-h)} + R_{TH(h-a)} = 8.33 - 3 = 5.33^\circ\text{C/W}$$

The thermal resistance at the contact interface, $R_{TH(c-h)}$, can be concluded, based on the operating condition. If $R_{TH(c-h)}$ is 1 °C/W, a heat sink with $R_{TH(h-a)}$ less than 4.33 °C/W is needed.

Popular Part Numbers

Part Number	Package	Tolerance	Resistance	TCR	Rated Power	Max. Operating Voltage
TPAL0263DR500K9	TO-263	±0.5%	0.5Ω	±100ppm/°C	35W	500V
TPAL0263DR500KH	TO-263	±0.5%	0.5Ω	±100ppm/°C	35W	500V
TPAL0263D1R00K9	TO-263	±0.5%	1Ω	±100ppm/°C	35W	500V
TPAL0263D1R00KH	TO-263	±0.5%	1Ω	±100ppm/°C	35W	500V
TPAL0263D1R50K9	TO-263	±0.5%	1.5Ω	±100ppm/°C	35W	500V
TPAL0263D1R50KH	TO-263	±0.5%	1.5Ω	±100ppm/°C	35W	500V
TPAL0263D2R00K9	TO-263	±0.5%	2Ω	±100ppm/°C	35W	500V
TPAL0263D2R00KH	TO-263	±0.5%	2Ω	±100ppm/°C	35W	500V
TPAL0263D3R00K9	TO-263	±0.5%	3Ω	±100ppm/°C	35W	500V
TPAL0263D3R00KH	TO-263	±0.5%	3Ω	±100ppm/°C	35W	500V
TPAL0263D3R30K9	TO-263	±0.5%	3.3Ω	±100ppm/°C	35W	500V
TPAL0263D3R30KH	TO-263	±0.5%	3.3Ω	±100ppm/°C	35W	500V
TPAL0263D6R80K9	TO-263	±0.5%	6.8Ω	±100ppm/°C	35W	500V
TPAL0263D6R80KH	TO-263	±0.5%	6.8Ω	±100ppm/°C	35W	500V
TPAL0263D7R50K9	TO-263	±0.5%	7.5Ω	±100ppm/°C	35W	500V
TPAL0263D7R50KH	TO-263	±0.5%	7.5Ω	±100ppm/°C	35W	500V
TPAL0263D10R0K9	TO-263	±0.5%	10Ω	±100ppm/°C	35W	500V
TPAL0263D10R0KH	TO-263	±0.5%	10Ω	±100ppm/°C	35W	500V
TPAL0263D15R0K9	TO-263	±0.5%	15Ω	±100ppm/°C	35W	500V
TPAL0263D15R0KH	TO-263	±0.5%	15Ω	±100ppm/°C	35W	500V
TPAL0263D20R0K9	TO-263	±0.5%	20Ω	±100ppm/°C	35W	500V
TPAL0263D20R0KH	TO-263	±0.5%	20Ω	±100ppm/°C	35W	500V
TPAL0263D25R0K9	TO-263	±0.5%	25Ω	±100ppm/°C	35W	500V
TPAL0263D25R0KH	TO-263	±0.5%	25Ω	±100ppm/°C	35W	500V
TPAL0263D33R0K9	TO-263	±0.5%	33Ω	±100ppm/°C	35W	500V
TPAL0263D33R0KH	TO-263	±0.5%	33Ω	±100ppm/°C	35W	500V
TPAL0263D47R0K9	TO-263	±0.5%	47Ω	±100ppm/°C	35W	500V
TPAL0263D47R0KH	TO-263	±0.5%	47Ω	±100ppm/°C	35W	500V
TPAL0263D50R0K9	TO-263	±0.5%	50Ω	±100ppm/°C	35W	500V
TPAL0263D50R0KH	TO-263	±0.5%	50Ω	±100ppm/°C	35W	500V
TPAL0263D100RK9	TO-263	±0.5%	100Ω	±100ppm/°C	35W	500V
TPAL0263D100RKH	TO-263	±0.5%	100Ω	±100ppm/°C	35W	500V
TPAL0263D200RK9	TO-263	±0.5%	200Ω	±100ppm/°C	35W	500V
TPAL0263D200RKH	TO-263	±0.5%	200Ω	±100ppm/°C	35W	500V
TPAL0263D500RK9	TO-263	±0.5%	500Ω	±100ppm/°C	35W	500V
TPAL0263D500RKH	TO-263	±0.5%	500Ω	±100ppm/°C	35W	500V
TPAL0263D1K00K9	TO-263	±0.5%	1KΩ	±100ppm/°C	35W	500V
TPAL0263D1K00KH	TO-263	±0.5%	1KΩ	±100ppm/°C	35W	500V
TPAL0263D2K00K9	TO-263	±0.5%	2KΩ	±100ppm/°C	35W	500V
TPAL0263D2K00KH	TO-263	±0.5%	2KΩ	±100ppm/°C	35W	500V
TPAL0263D5K00K9	TO-263	±0.5%	5KΩ	±100ppm/°C	35W	500V
TPAL0263D5K00KH	TO-263	±0.5%	5KΩ	±100ppm/°C	35W	500V
TPAL0263D10K0K9	TO-263	±0.5%	10KΩ	±100ppm/°C	35W	500V
TPAL0263D10K0KH	TO-263	±0.5%	10KΩ	±100ppm/°C	35W	500V
TPAL0263FR500K9	TO-263	±1%	0.5Ω	±100ppm/°C	35W	500V
TPAL0263FR500KH	TO-263	±1%	0.5Ω	±100ppm/°C	35W	500V
TPAL0263F1R00K9	TO-263	±1%	1Ω	±100ppm/°C	35W	500V
TPAL0263F1R00KH	TO-263	±1%	1Ω	±100ppm/°C	35W	500V
TPAL0263F1R50K9	TO-263	±1%	1.5Ω	±100ppm/°C	35W	500V
TPAL0263F1R50KH	TO-263	±1%	1.5Ω	±100ppm/°C	35W	500V
TPAL0263F2R00K9	TO-263	±1%	2Ω	±100ppm/°C	35W	500V
TPAL0263F2R00KH	TO-263	±1%	2Ω	±100ppm/°C	35W	500V

Popular Part Numbers

Part Number	Package	Tolerance	Resistance	TCR	Rated Power	Max. Operating Voltage
TPAL0263F3R00K9	TO-263	±1%	3Ω	±100ppm/°C	35W	500V
TPAL0263F3R00KH	TO-263	±1%	3Ω	±100ppm/°C	35W	500V
TPAL0263F3R30K9	TO-263	±1%	3.3Ω	±100ppm/°C	35W	500V
TPAL0263F3R30KH	TO-263	±1%	3.3Ω	±100ppm/°C	35W	500V
TPAL0263F6R80K9	TO-263	±1%	6.8Ω	±100ppm/°C	35W	500V
TPAL0263F6R80KH	TO-263	±1%	6.8Ω	±100ppm/°C	35W	500V
TPAL0263F7R50K9	TO-263	±1%	7.5Ω	±100ppm/°C	35W	500V
TPAL0263F7R50KH	TO-263	±1%	7.5Ω	±100ppm/°C	35W	500V
TPAL0263F10R0K9	TO-263	±1%	10Ω	±100ppm/°C	35W	500V
TPAL0263F10R0KH	TO-263	±1%	10Ω	±100ppm/°C	35W	500V
TPAL0263F15R0K9	TO-263	±1%	15Ω	±100ppm/°C	35W	500V
TPAL0263F15R0KH	TO-263	±1%	15Ω	±100ppm/°C	35W	500V
TPAL0263F20R0K9	TO-263	±1%	20Ω	±100ppm/°C	35W	500V
TPAL0263F20R0KH	TO-263	±1%	20Ω	±100ppm/°C	35W	500V
TPAL0263F25R0K9	TO-263	±1%	25Ω	±100ppm/°C	35W	500V
TPAL0263F25R0KH	TO-263	±1%	25Ω	±100ppm/°C	35W	500V
TPAL0263F33R0K9	TO-263	±1%	33Ω	±100ppm/°C	35W	500V
TPAL0263F33R0KH	TO-263	±1%	33Ω	±100ppm/°C	35W	500V
TPAL0263F47R0K9	TO-263	±1%	47Ω	±100ppm/°C	35W	500V
TPAL0263F47R0KH	TO-263	±1%	47Ω	±100ppm/°C	35W	500V
TPAL0263F50R0K9	TO-263	±1%	50Ω	±100ppm/°C	35W	500V
TPAL0263F50R0KH	TO-263	±1%	50Ω	±100ppm/°C	35W	500V
TPAL0263F100RK9	TO-263	±1%	100Ω	±100ppm/°C	35W	500V
TPAL0263F100RKH	TO-263	±1%	100Ω	±100ppm/°C	35W	500V
TPAL0263F200RK9	TO-263	±1%	200Ω	±100ppm/°C	35W	500V
TPAL0263F200RKH	TO-263	±1%	200Ω	±100ppm/°C	35W	500V
TPAL0263F500RK9	TO-263	±1%	500Ω	±100ppm/°C	35W	500V
TPAL0263F500RKH	TO-263	±1%	500Ω	±100ppm/°C	35W	500V
TPAL0263F1K00K9	TO-263	±1%	1KΩ	±100ppm/°C	35W	500V
TPAL0263F1K00KH	TO-263	±1%	1KΩ	±100ppm/°C	35W	500V
TPAL0263F2K00K9	TO-263	±1%	2KΩ	±100ppm/°C	35W	500V
TPAL0263F2K00KH	TO-263	±1%	2KΩ	±100ppm/°C	35W	500V
TPAL0263F5K00K9	TO-263	±1%	5KΩ	±100ppm/°C	35W	500V
TPAL0263F5K00KH	TO-263	±1%	5KΩ	±100ppm/°C	35W	500V
TPAL0263F10K0K9	TO-263	±1%	10KΩ	±100ppm/°C	35W	500V
TPAL0263F10K0KH	TO-263	±1%	10KΩ	±100ppm/°C	35W	500V
TPAL0263JR500K9	TO-263	±5%	0.5Ω	±100ppm/°C	35W	500V
TPAL0263JR500KH	TO-263	±5%	0.5Ω	±100ppm/°C	35W	500V
TPAL0263J1R00K9	TO-263	±5%	1Ω	±100ppm/°C	35W	500V
TPAL0263J1R00KH	TO-263	±5%	1Ω	±100ppm/°C	35W	500V
TPAL0263J1R50K9	TO-263	±5%	1.5Ω	±100ppm/°C	35W	500V
TPAL0263J1R50KH	TO-263	±5%	1.5Ω	±100ppm/°C	35W	500V
TPAL0263J2R00K9	TO-263	±5%	2Ω	±100ppm/°C	35W	500V
TPAL0263J2R00KH	TO-263	±5%	2Ω	±100ppm/°C	35W	500V
TPAL0263J3R00K9	TO-263	±5%	3Ω	±100ppm/°C	35W	500V
TPAL0263J3R00KH	TO-263	±5%	3Ω	±100ppm/°C	35W	500V
TPAL0263J3R30K9	TO-263	±5%	3.3Ω	±100ppm/°C	35W	500V
TPAL0263J3R30KH	TO-263	±5%	3.3Ω	±100ppm/°C	35W	500V
TPAL0263J6R80K9	TO-263	±5%	6.8Ω	±100ppm/°C	35W	500V
TPAL0263J6R80KH	TO-263	±5%	6.8Ω	±100ppm/°C	35W	500V
TPAL0263J7R50K9	TO-263	±5%	7.5Ω	±100ppm/°C	35W	500V
TPAL0263J7R50KH	TO-263	±5%	7.5Ω	±100ppm/°C	35W	500V

Popular Part Numbers

Part Number	Package	Tolerance	Resistance	TCR	Rated Power	Max. Operating Voltage
TPAL0263J10R0K9	TO-263	±5%	10Ω	±100ppm/°C	35W	500V
TPAL0263J10R0KH	TO-263	±5%	10Ω	±100ppm/°C	35W	500V
TPAL0263J15R0K9	TO-263	±5%	15Ω	±100ppm/°C	35W	500V
TPAL0263J15R0KH	TO-263	±5%	15Ω	±100ppm/°C	35W	500V
TPAL0263J20R0K9	TO-263	±5%	20Ω	±100ppm/°C	35W	500V
TPAL0263J20R0KH	TO-263	±5%	20Ω	±100ppm/°C	35W	500V
TPAL0263J25R0K9	TO-263	±5%	25Ω	±100ppm/°C	35W	500V
TPAL0263J25R0KH	TO-263	±5%	25Ω	±100ppm/°C	35W	500V
TPAL0263J33R0K9	TO-263	±5%	33Ω	±100ppm/°C	35W	500V
TPAL0263J33R0KH	TO-263	±5%	33Ω	±100ppm/°C	35W	500V
TPAL0263J47R0K9	TO-263	±5%	47Ω	±100ppm/°C	35W	500V
TPAL0263J47R0KH	TO-263	±5%	47Ω	±100ppm/°C	35W	500V
TPAL0263J50R0K9	TO-263	±5%	50Ω	±100ppm/°C	35W	500V
TPAL0263J50R0KH	TO-263	±5%	50Ω	±100ppm/°C	35W	500V
TPAL0263J100RK9	TO-263	±5%	100Ω	±100ppm/°C	35W	500V
TPAL0263J100RKH	TO-263	±5%	100Ω	±100ppm/°C	35W	500V
TPAL0263J200RK9	TO-263	±5%	200Ω	±100ppm/°C	35W	500V
TPAL0263J200RKH	TO-263	±5%	200Ω	±100ppm/°C	35W	500V
TPAL0263J500RK9	TO-263	±5%	500Ω	±100ppm/°C	35W	500V
TPAL0263J500RKH	TO-263	±5%	500Ω	±100ppm/°C	35W	500V
TPAL0263J1K00K9	TO-263	±5%	1KΩ	±100ppm/°C	35W	500V
TPAL0263J1K00KH	TO-263	±5%	1KΩ	±100ppm/°C	35W	500V
TPAL0263J2K00K9	TO-263	±5%	2KΩ	±100ppm/°C	35W	500V
TPAL0263J2K00KH	TO-263	±5%	2KΩ	±100ppm/°C	35W	500V
TPAL0263J5K00K9	TO-263	±5%	5KΩ	±100ppm/°C	35W	500V
TPAL0263J5K00KH	TO-263	±5%	5KΩ	±100ppm/°C	35W	500V
TPAL0263J10K0K9	TO-263	±5%	10KΩ	±100ppm/°C	35W	500V
TPAL0263J10K0KH	TO-263	±5%	10KΩ	±100ppm/°C	35W	500V

Revision

Version	Revised Content	Date	Approver
V0	Initial Issue	2024.05.06	LWW
V1	New products for Mid-High reflow temperature profiles Part number ending in H	2025.06.02	LWW
V2	Updated Recommended Reflow Profile (Mid-High Temp.)	2026.01.05	LWW
V3	Adjust the layout.	2026.04.02	LWW

Disclaimer

All products, datasheets and data can be changed without prior notice.

C&B Electronics Shenzhen CO., LTD., its affiliates, distributors, employees, and any other person acting on its behalf (collectively referred to as "C&B Electronics") shall not bear any legal responsibility for any errors, inaccuracies, or incompleteness of information related to the product disclosed under this agreement or other disclosures.

Product datasheet does not constitute an extension or revision of the purchase terms and conditions in C&B Electronics, including but not limited to the warranties under this agreement.

Unless specified in the purchase terms and conditions, C&B Electronics makes no guarantees, representations or warranties.

To the maximum extent permitted by applicable laws, C&B Electronics hereby makes the following disclaimer:

- (1) All liabilities arising from the use of the product;**
- (2) Including but not limited to all liabilities arising from special, indirect or incidental damages;**
- (3) All implied warranties, including warranties of suitability for special purposes, non infringement possibility, and marketability.**

The information provided in the datasheet and parameter tables may vary in different applications, and the performance of the product may change over time. The recommended application instructions for the product are based on C&B Electronics' understanding and experience of typical requirements. Customers are obligated to verify whether the product is suitable for a specific application based on the parameters provided in the datasheet. Before officially installing or using the product, you should ensure that you have obtained the latest version of relevant information, which can be obtained through the website: resistor.today.

The signing of this agreement does not constitute an express, implied or other form of license related to all intellectual property rights of C&B Electronic Products.

Unless explicitly stated, the products listed in this agreement are not applicable to lifesaving or life sustaining products. In the absence of a clear indication, the customer shall bear all risks caused by unauthorized use of the above products and agree to fully compensate C&B Electronics for all losses caused by such sales or use. For written product terms for such special applications, please contact authorized personnel from C&B Electronics to obtain.

The names and markings on the listed products may be trademarks owned by others.