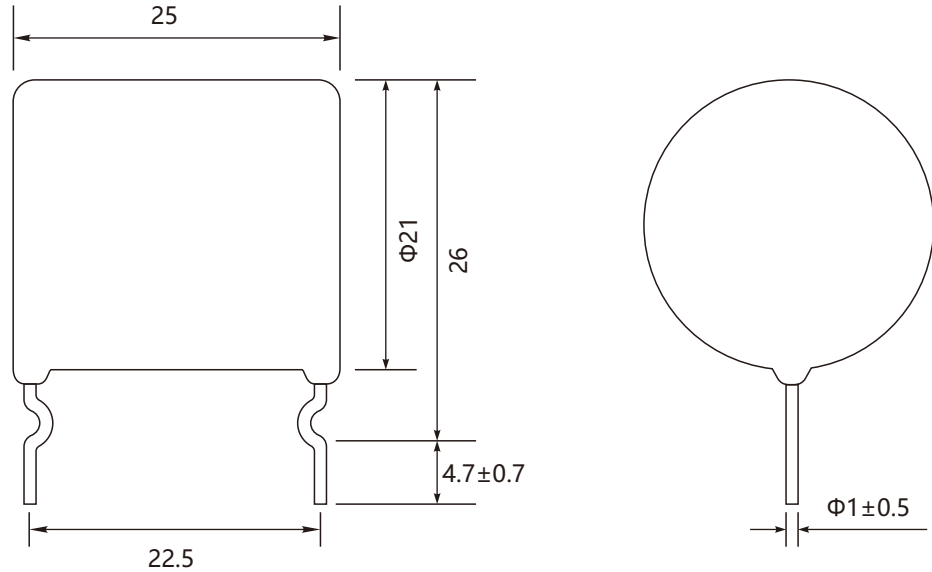


### Dimensions (mm):



### Part Number Information



No.	Version	Details	Date
<b>Specifications</b>			
Resistance	10Ω		
Rated Power(25°C)	4.5W		
Tolerance	±10%		
Peak Energy(25°C)	1400J		
Max. AC working voltage	50Hz, rms: 2.4 × (1.8R/t) <sup>0.3</sup>		
Max.pluse voltage(KV)	1.2/50μs : 1.26R × (-1 + √(1+33/R)) 10/1000μs : 0.0627R × (-1 + √(1+658/R)) 500/5000μs : 0.0126R × (-1 + √(1+3288/R))		
Temperature	150°C(continue), 200°C(short time) Thermal time constant Γ(s)=E <sub>max</sub> (25°C)/W <sub>max</sub> (25°C),cooling t≥4Γ		
Linear expansion coefficient	5ppm/°C~15ppm/°C		
TCR	-500ppm/°C~-1500ppm/°C		
<b>Performance</b>			
Test	Test method	Performance	
Life Test	MIL-STD-202F, method 108A. except 50°C, 1000 hrs. @ rated power; 1.5 hrs. ON, 0.5 hrs. OFF	ΔR≤5%	
Single Pulse Energy	Single pulse, capacitor discharge at rated energy.	ΔR≤1.5%	
Repetitive HV Pulsing	10 joules @ 5.0KV, 10,000 cycles	ΔR≤2.0%	
Short-time Overload	10x rated power. 5 sec. ON, 5 sec. OFF, 5 cycles	ΔR≤1.5%	
Short-term High Temp	250°C for 30 seconds	ΔR≤1.5%	
Long-term High Temp	1000 hours @ 150°C	ΔR≤2.0%	
Thermal Shock Cycle	MIL-STD-202F, method 107D. -55°C to +125°C, 5 cycles	ΔR≤2.0%	
Moisture Resistance	90% to 95% RH @ 40°C, 1000 hrs.	ΔR≤1.0%	
<b>Standard</b>			
IEC60115-1:2001			
<b>Customized Information</b>			
Series	HECR	Part #	HECR2526K10R0
Marking	Subject to actual product		
Customized Request	Customize according to customer's needs		
Issue Date	2023-11-9	Department	R&D
Approval Date	2023-11-9	Approver	Wine Zeng
Last Reviewed Date	2023-11-9	Page	1/1



**C&B Electronics**

Drawing No.	E08010-002	Latest Version	V0
Demander			
Unit	mm	Scale	N/A