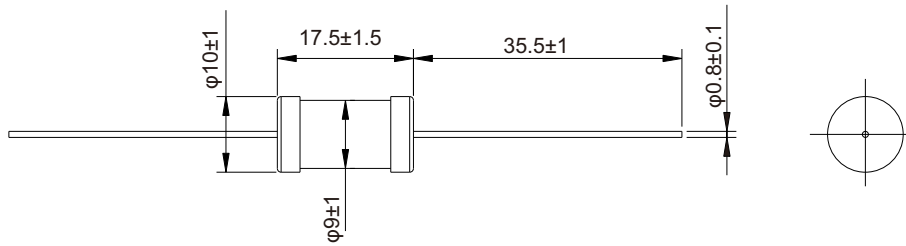
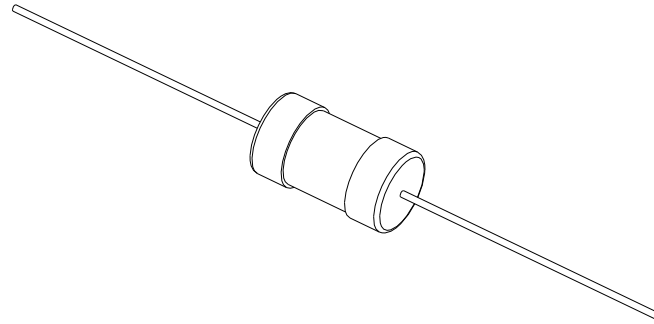
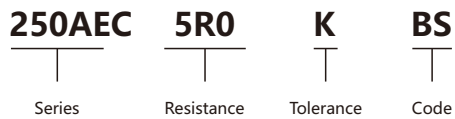


Dimensions (mm):



Part Number Information



No.	Version	Details	Date
Specifications			
Resistance	5Ω		
Rated Power(40°C)	2.5W		
Tolerance	±10%		
Max.Energy	260J		
Max.Voltage	1500V		
Max.Current	190A		
Working Tem. range	-55°C~+175°C		
TCR	0~-800ppm/°C		
Performance			
Test	Test method	Performance	
Short time over load	10×Rated power,5s'on',90'off',10 times	ΔR≤±2.0%	
Moisture	MIL-STD-202 Method 103	ΔR≤±5.0%	
Thermal shock	-55°C/+125°C, 10 cycles	ΔR≤±3.5%	
Load life	Rated power,1000h	ΔR≤±5.0%	
Voltage coefficient	Max.% per kilovolt per inch active length	ΔR≤-1.0%	
Standard			
GB/T5729-2003(IEC60115-1:2001)			
Customized Information			
Series	250AEC	Part #	250AEC5R0KBS
Marking	Subject to actual product		
Customized Request	Customize according to customer's needs		
Issue Date	2026-1-15	Department	R&D
Approval Date	2026-1-15	Approver	Wine Zeng
Last Reviewed Date	2026-1-15	Page	1/1



C&B Electronics

Drawing No.	E83003-001	Latest Version	V0
Demander			
Unit	mm	Scale	N/A